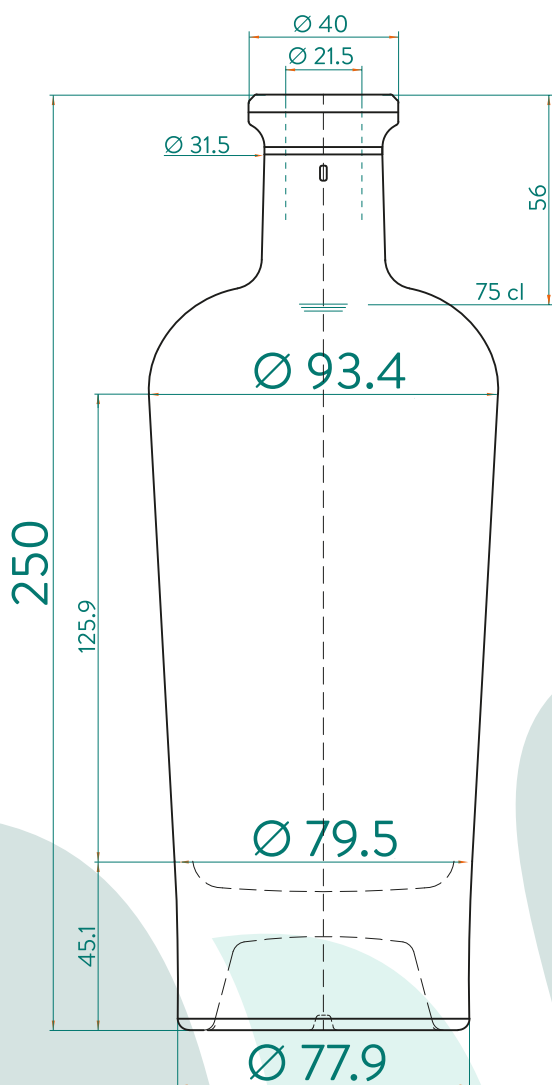


DA CLARIOR[®]



EXTRA FLINT

Modelo registrado/
Registered model/
Modèle enregistré

 Cork Special

DATOS TÉCNICOS TECHNICAL DATA DONNÉES TECHNIQUES

Peso / Weight / Poids

Altura total / Total height / Hauteur totale

Diámetro del cuerpo / Body diameter / Diamètre du corps

Ø interno boca / Ø inner mouth / Ø intérieur bouche

Capacidad a verter / Brimfull / Capacité Ras-Bord

75 cl

850 gr

250 mm

77,9 / 93,4 mm

21,5 mm

775 ml

At first the DA CLARIOR range is proposed in 70 and 75 cl.
Following business opportunities, other sizes - from miniature 5 cl to big sizes 300 cl will be added to the range.